



Overseas model shown.  
Illustration may contain optional features to the model.

**ENGINE**

Power: 530hp (387kW) @ 1900rpm  
Torque: 2400Nm @ 950rpm

**TRANSMISSION**

16 Speed automated manual

**MASS RATINGS**

GVM: 27600kg  
GCM: 70000kg

**WHEELBASE**

3500mm | 3800mm

**KEY FEATURES**

- Compliant to Euro VI STEP E Emission standard
- GPS Predictive Drive
- Advanced Emergency Braking System
- Adaptive Cruise Control
- Lane Departure Warning
- Full LED Headlights with cornering fog lights
- 7" Infotainment system with Apple CarPlay®
- Climate control HVAC system

**WARRANTY**

- Standard Warranty  
3 Years/750,000km (whichever occurs first)
- Extended Warranty  
5 Years/1,000,000km (whichever occurs first)

Driveline Only Driveline Plus\*

|                 |   |   |
|-----------------|---|---|
| Driveline       | • |   |
| Extra Driveline | • | • |

**MAINTENANCE & REPAIR CONTRACTS**

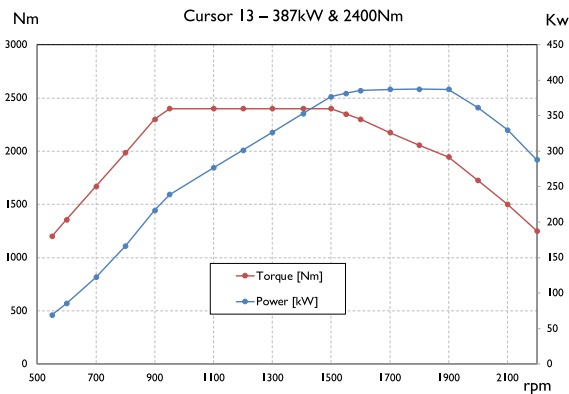
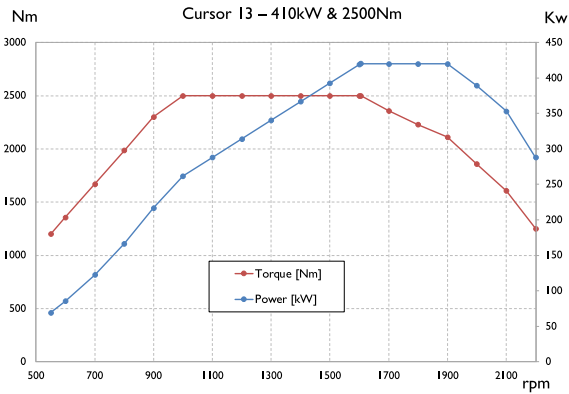
|  | Maintenance | Friction | Repair |
|--|-------------|----------|--------|
| Service Bond                             | •           |          |        |
| Friction                                 | •           | •        |        |
| Easy Road (complimentary for first year) | •           | •        | •      |

Contracts available up to 5 years/1,000,000km (whichever occurs first)

\*Please refer to extended warranty standard inclusions list at your IVECO dealer.

## ENGINE

|                    |                                      |                                      |
|--------------------|--------------------------------------|--------------------------------------|
| Engine Model       | Cursor I3                            |                                      |
| Total Displacement | 12,900cm <sup>3</sup>                |                                      |
| Maximum Power      | Standard: 530hp<br>(387kW) @ 1600rpm | Optional: 550hp<br>(410kW) @ 1700rpm |
| Maximum Torque     | Standard: 2400Nm<br>@ 950rpm         | Optional: 2500Nm<br>@ 1000rpm        |



|                        |  |
|------------------------|--|
| Injection type         | Direct   |
| Fuel Injection system  | Common rail  |
| Bore & Stroke          | 135 & 150mm  |
| After-Treatment System | Hi-e SCR after-treatment system with<br>DOC: Diesel Oxydation Catalyst<br>DPF: Diesel Particulate Filter<br>SCR: Selective Catalytic Reduction<br>CUC: Clean Up Catalyst |
| Emission Compliance    | Euro VI STEP E   |

## TRANSMISSION

|  |   |       |
|--|---|-------|
| Description                            | Automated Manual Transmission (AMT)                                       |       |
| Make & Model                           | Hi-Tronix 16 TX 2640 TD   |       |
| Shifter type                           | Dash mounted electronic shifter with<br>column mounted sequential shifter |       |
| Gear ratios:<br>Hi-Tronix 16TX 2640 TD | 1st:  | 17.94 |
|  | 2nd:  | 14.68 |
|  | 3rd:  | 12.12 |
|  | 4th:  | 9.92  |
|  | 5th:  | 8.28  |
|  | 6th:  | 6.78  |
|  | 7th:  | 5.58  |
|  | 8th:  | 4.57  |
|  | Rev 1:  | 17.27 |
|  | Rev 2:  | 14.14 |
|  | 9th:  | 3.93  |
|  | 10th:   | 3.22  |
|  | 11th:   | 2.65  |
|  | 12th:   | 2.17  |
|  | 13th:   | 1.81  |
|  | 14th:   | 1.49  |
|  | 15th:   | 1.22  |
|  | 16th:   | 1.00  |
|  | Rev 3:  | 3.78  |
|  | Rev 4:  | 3.10  |

## POWER TAKE-OFF

|                           |                         |
|---------------------------|-------------------------|
| Rear engine PTO Provision | Equipped                |
| Engine PTO (Optional)     | Flange (DIN 10 - 6Hole) |
| Sandwich PTO (Optional)   | Flange (120 ISO 8667)   |

|                  |   |
|------------------|---|
| Gearbox Power    | Equipped                                      |
| Take-off Opening |   |
| PTO Control      | Equipped with activation switch and electrics |

## REAR AXLE RATIO

|                 |                                 |
|-----------------|---------------------------------|
| Rear Axle Ratio | Standard: 3.09<br>Optional: 3.4 |
|-----------------|---------------------------------|

## PERFORMANCE

|                                       |                            |
|---------------------------------------|----------------------------|
| Engine RPM @ 100km/h                  | 1617                       |
| Road speed limiter                    | 100km/h, Conforms to ADR65 |
| Gradeability <sup>1</sup> @ Rated GVM | 88%                        |
| Gradeability <sup>1</sup> @ Rated GCM | 35%                        |

<sup>1</sup>This is theoretically calculated. Actual performance may vary under different conditions.

## AXLE & SUSPENSION

|  |  |
|--|--|
| Front Axle Model (Standard)            | 5890/D OFF - Axle drop: 72mm   |
| Front Axle Model (Optional)            | 5890/D ON - Axle drop: 142mm   |
| Front suspension                       | Parabolic suspension with dampers                                      |
| FA & suspension capacity               | 8000kg   |
| FA group mass rating                   | 7100kg (with tyres)  |
| Front Stabiliser bar                   | Diameter: ø48mm/Roll rate: 5018Nm/Deg                                  |
| Rear Axle Model & Type                 | MT23-150/D - Tandem Single reduction                                   |
| Rear suspension                        | 8 Bellow air suspension with ECAS<br>Stroke: Raise/lower - 125mm/-65mm |
| Rear dampers                           | Equipped   |
| RA & suspension capacity               | 23000kg  |
| RA group mass rating                   | 21000kg (with tyres)   |
| Rear Stabiliser bar                    | Diameter: ø60mm/Roll rate: 8247Nm/Deg                                  |
| Axle load indicator                    | Equipped (with pneumatic suspension only)                              |
| Differential Cross Lock                | Equipped   |
| Road friendly suspension Certification | RFCN: RF2103   |

## BRAKES & AUXILIARY BRAKES

|              |  |
|--------------|--|
| Type/Control | Full air/Electronic Braking System (EBS)<br>- ABS (Anti-lock Braking System)<br>- ASR (Anti-Skid Regulator)<br>- DPI (Direct Brake Integration)<br>- BAS (Brake Assistant System)<br>- BVR (Brake Lining Wear Adjustment)<br>- ARB (Hill Holder)<br>- ESC (Enhanced Stability Control) |
|--------------|--|

|                                       |  |
|---------------------------------------|--|
| Front axle                            | Ventilated Disc: Diameter 432mm/<br>Braking surface : 784cm <sup>2</sup> |
| Rear axle                             | Ventilated Disc: Diameter 432mm/<br>Braking surface : 784cm <sup>2</sup> |
| Engine brake with 3 level retardation | Equipped   |
| Transmission Intarder                 | Equipped   |

## CHASSIS

|                               |                                       |
|-------------------------------|---------------------------------------|
| Dimensions                    | 304.4x80x7.7mm                        |
| Chassis width (at rear)       | 771.4mm                               |
| Material                      | Steel                                 |
| Tensile strength              | 610N/mm <sup>2</sup>                  |
| Exhaust Pipe                  | Chassis mounted ATS & Horizontal pipe |
| Air Tanks                     | Aluminium                             |
| Front tow hook                | Equipped                              |
| Towing cross member (D=200kN) | Equipped                              |

## WHEELS & TYRES

|           |  |
|-----------|--|
| Rim Type  | 10-Stud disc wheel (ISO type) PCD 335mm<br>Finish: Brushed Alloy |
| Rim size  | 22.5" x 8.25"  |
| Tyre size | Front 295/80R22.5<br>Rear 295/80R22.5                            |

## FUEL & ADBLUE® TANK

|                             |      |
|-----------------------------|------|
| Fuel Tank with lockable cap | 480L |
| AdBlue® Tank                | 50L  |

## FUEL SAVING FEATURES

|                      |          |
|----------------------|----------|
| GPS-Predictive Drive | Equipped |
| Eco-Roll             | Equipped |
| EcoSwitch            | Equipped |

## SAFETY FEATURES

|  |          |
|--|----------|
| Electronic Stability Programme (ESP)     | Equipped |
| Anti-lock Brake System (ABS)             | Equipped |
| Anti-slip Regulator (ASR)                | Equipped |
| Advanced Emergency Braking System (AEBS) | Equipped |
| Adaptive Cruise Control (ACC)            | Equipped |
| Lane Departure Warning System (LDWS)     | Equipped |
| Reverse Buzzer                           | Equipped |
| Daytime Running Lamp (DRL)               | Equipped |
| ECE-R29 Cab Strength Certification       | Equipped |
| ECE-R93 Front Underrun Protection (FUP)  | Equipped |

## ELECTRICAL & ELECTRONICS

|  |                                |
|--|--------------------------------|
| Voltage                                      | 24V System                     |
| Batteries                                    | 2x 12 Volt/220Ah Batteries     |
| Battery position                             | Horizontal on side frame - LHS |
| Alternator                                   | 28Volt/120A Smart Alternator   |
| Fleet Management System data interface (FMS) | Equipped                       |
| Chassis mounted jump start plug              | Equipped                       |
| CAN OPEN Bodybuilder interface               | Equipped                       |
| LED Headlamp - Low beam                      | Equipped                       |
| LED Headlamp - High beam                     | Equipped                       |
| Daytime Running Lamp (DRL)                   | Equipped                       |
| Fog light with cornering & bending           | Equipped                       |
| LED Rear lights                              | Equipped                       |
| Chassis mounted pneumatic horn               | Equipped                       |
| 7-pin trailer connection                     | Equipped                       |

## STEERING

|  |   |
|--|---|
| Telescopic & Tilt adjustable steering column | Standard  |
| Steering wheel                               | Soft touch steering wheel with following:<br>- Controls for the information screen<br>- Controls for the phone<br>- Activation for voice recognition<br>- Controls for ACC (Adaptive cruise control)<br>- Controls for radio/media volume<br>Optional: Leather steering wheel |
| Steering angle                               | Inside: 52° Outside: 36°  |

## SERVICE INTERVALS

|   |                    |
|---|--------------------|
| Engine oil change interval <sup>2</sup> | 75,000km/12 Months |
|---|--------------------|

<sup>2</sup>Based on normal operating conditions and may be reduced when operating under severe conditions.

## CAB EXTERIOR

|                    |                                   |
|--------------------|-----------------------------------|
| Cab type           | Low roof sleeper cab (AS)         |
| Cab tilt mechanism | Servo assisted cab tilt mechanism |

|                   |   |
|-------------------|---|
| Cab mounting      | Air suspended front and rear  |
| Windscreen Wipers | Automatic - Rain sensing 2 Speed with Integrated Washer Nozzles                                     |
| Front Bumper      | Multi-piece hybrid (Plastic + metal) front bumper with foldable step                                |
| Rearview mirrors  | 2 x Motorised, heated flat main mirrors & convex spotters<br>1 x LHS kerb view & front view mirrors |
| External Sunvisor | Equipped  |
| Colour            | White IC 194  |

## CAB INTERIOR

|  |   |
|--|---|
| Seating capacity                                     | Two   |
| Driver Seat  | Standard: Fabric, Air suspended, Heated, 3-Way adjustable seat  |
| Passenger Seat                                       | Standard: Fabric, Air suspended, Heated, 3-Way adjustable seat  |
| Seat Belt  | 3-point Lap/Sash type   |
| Sun visor & overhead consoles                        | Equipped on both driver & Passenger side  |
| Sleeper berth with net protection - ADR 42 Compliant | Equipped  |
| Multimedia unit                                      | 7" LCD HD touch screen display<br>DAB + AM/FM radio<br>USB input, Bluetooth® connectivity<br>Smart phone mirroring<br>Apple CarPlay®<br>Voice recognition<br>In built Tom Tom Satellite navigation system<br>Reverse/Side camera compatible<br>Optional: Voice assist (Powered by Amazon Alexa®)<br>USB charging ports (TYPE A)<br>12 Volt power socket |
| HVAC System  | Equipped - with climate control   |
| Immobiliser  | Equipped - with 3 x remote central lock keys  |
| Power Windows  | Equipped  |
| Cup holders  | Equipped  |
| Interior lighting                                    | LED Internal Lights   |
| Ambience lighting                                    | With ambience lighting  |
| Rollup sun blinds for doors                          | Equipped  |
| Electric roof hatch                                  | Equipped  |
| Refrigerator   | 50L+50L Refrigerator (Cool box + fridge/freezer)  |
| Bunk Curtains  | Equipped  |

## GENUINE ACCESSORY OPTIONS

|                    |                                 |
|--------------------|---------------------------------|
| - Phone Cradle     | - Rubber Floor Mats             |
| - Cameras          | - Seat Covers                   |
| - Foot Well Liners | - 24 to 12 Volt Voltage Reducer |

Please check with your dealer for availability and price.

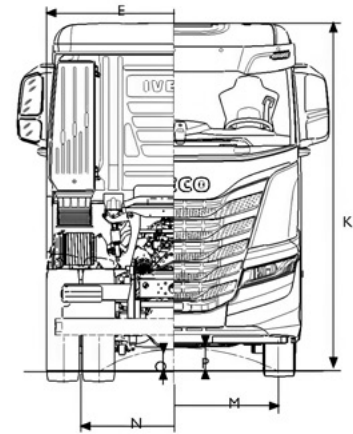
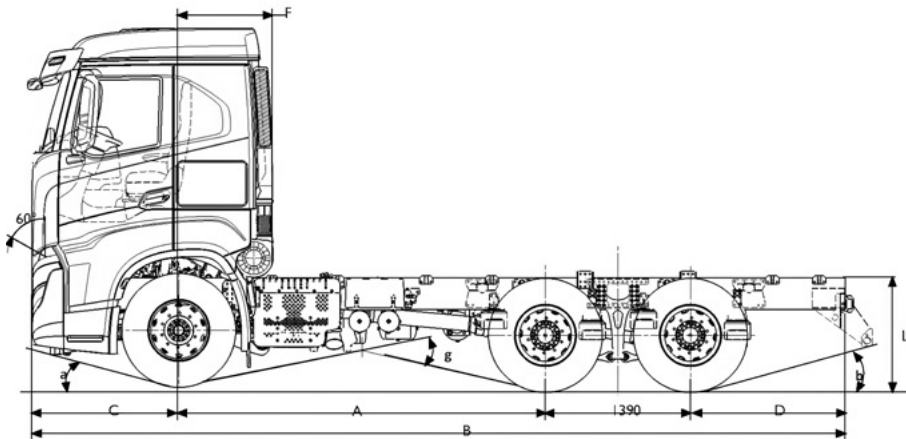
## IVECO TELEMATICS

|                         |  |
|-------------------------|--|
| Telematics Hardware     | Equipped (GSM & GPS & Antenna & 4G SIM) with provision for mobile cradle.  |
| Smart connectivity pack | Upon subscription. Features include:<br>- MYIVECO Smart report<br>- MYIVECO Web portal<br>- MYIVECO Vehicle monitoring & remote assistance<br>- MYIVECO Easy Way app |
| Premium pack            | Optional   |



## MODEL AS230S53Z/P ON+

Application: Rigid



### DIMENSIONS & WEIGHTS

|  |                               |         |
|--|-------------------------------|---------|
| Wheelbase                                    | 3500mm                        | 3800mm  |
| Overall length                               | 8079mm                        | 8349mm  |
| Max width over fenders                       | 2500mm                        |         |
| Front axle to back of cab - including filter | 940mm                         |         |
| Frame height at end of frame, unladen        | 1098mm                        |         |
| Front overhang                               | 1410mm                        |         |
| Rear overhang                                | 1488mm                        |         |
| Minimum ground clearance (front)             | 316mm (244mm with ON Setup)   |         |
| Minimum ground clearance (rear)              | 250mm                         |         |
| Overall height to top of cab, unladen        | 3940mm (3878mm with ON Setup) |         |
| Turning diameter kerb to kerb                | 17400mm                       | 18100mm |
| Turning diameter wall to wall                | 19000mm                       | 19700mm |
| Front track                                  | 2044mm                        |         |
| Rear track                                   | 1820mm                        |         |
| Approach angle (°)                           | 14°                           |         |
| Departure angle (°)                          | 15°                           |         |
| Ramp angle (°)                               | 24°                           |         |
| Total vehicle kerb weight*                   | 8801kg                        | 8821kg  |
| Kerbweight on Front Axle*                    | 5201kg                        | 5220kg  |
| Kerbweight on Rear Axle*                     | 3591kg                        | 3601kg  |
| Gross Vehicle Mass (Plated)                  | 27600kg                       |         |
| Gross Combination Mass (Plated)              | 70000kg                       |         |

Notes:

\*Indicative chassis tare mass with Standard options, without fuel, Adblue® and driver. ±3% tolerance apply.